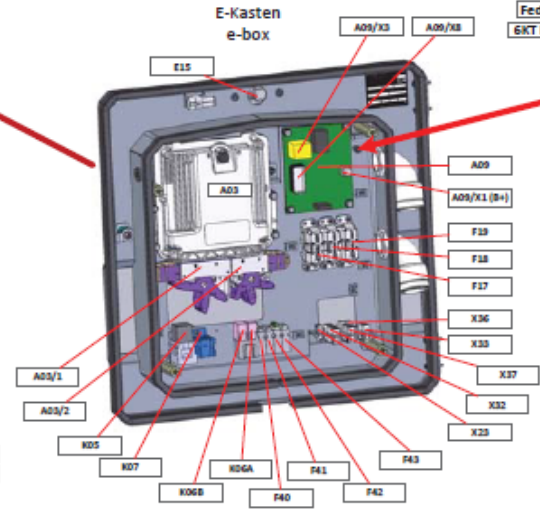
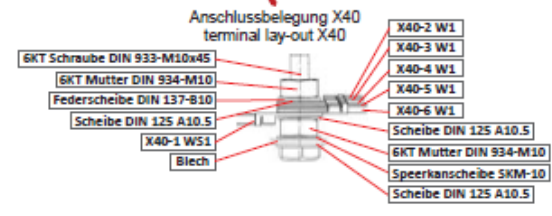
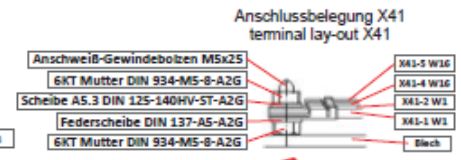
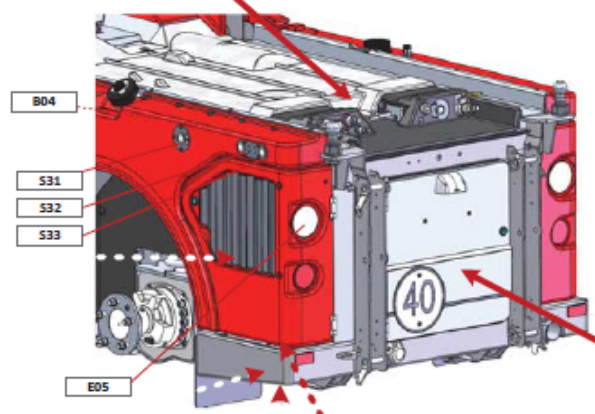
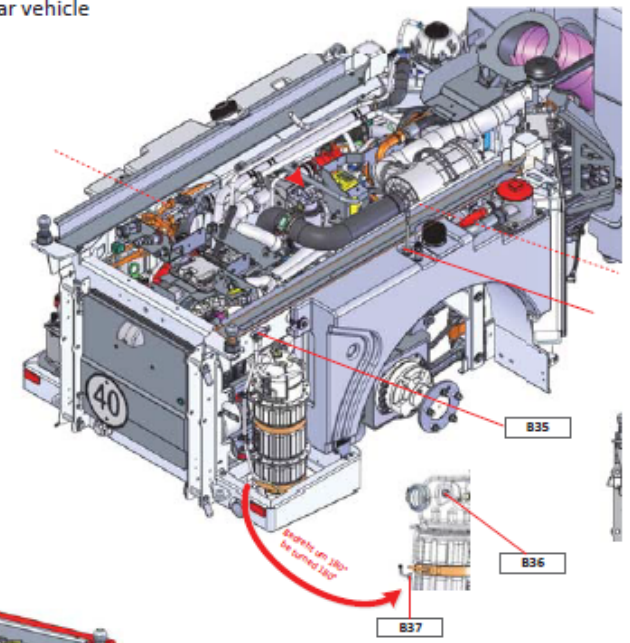
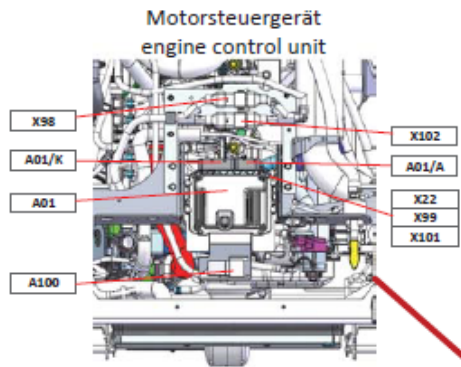
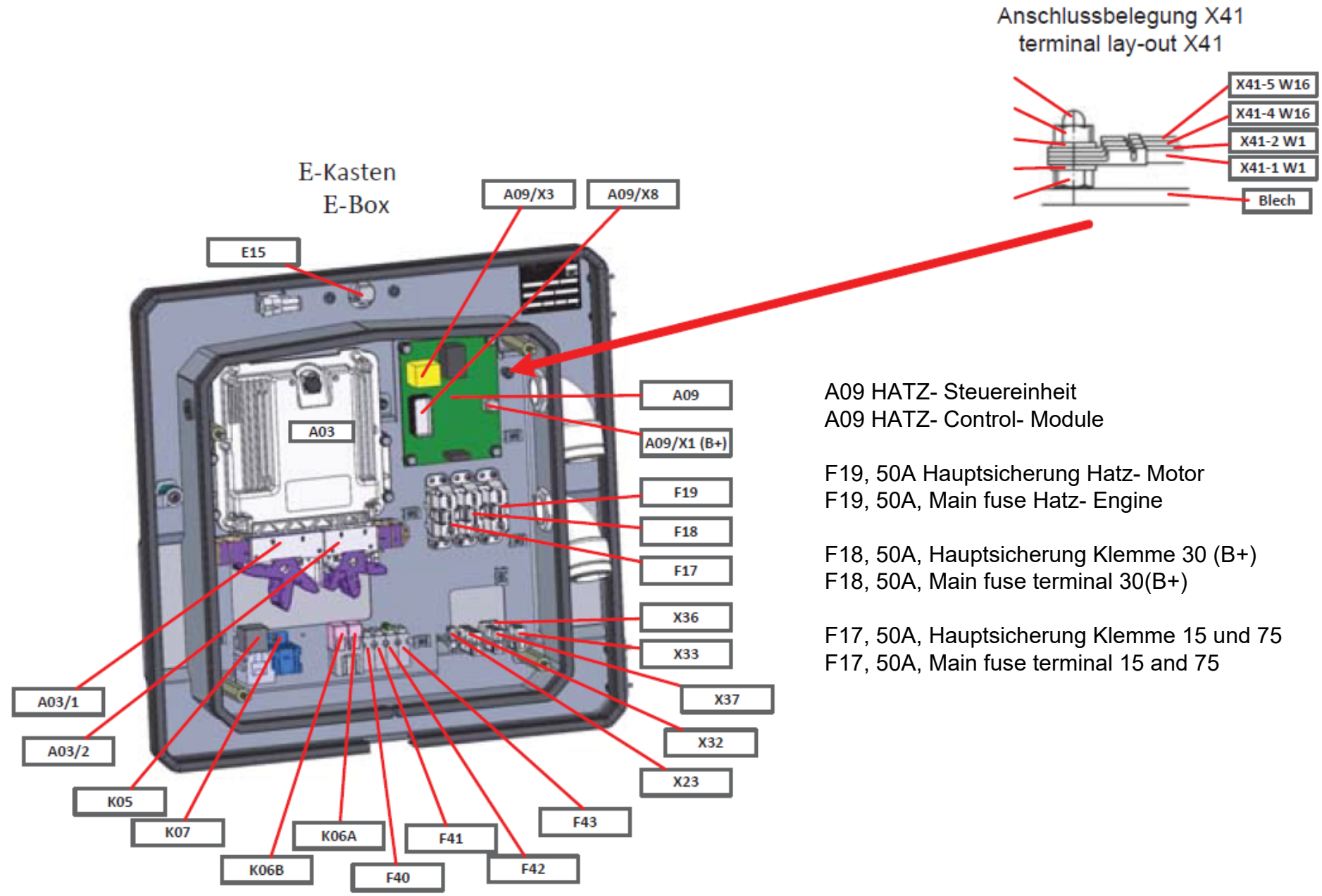


Übersicht Elektrik- HATZ- Motor Overview Electric- HATZ- Engine



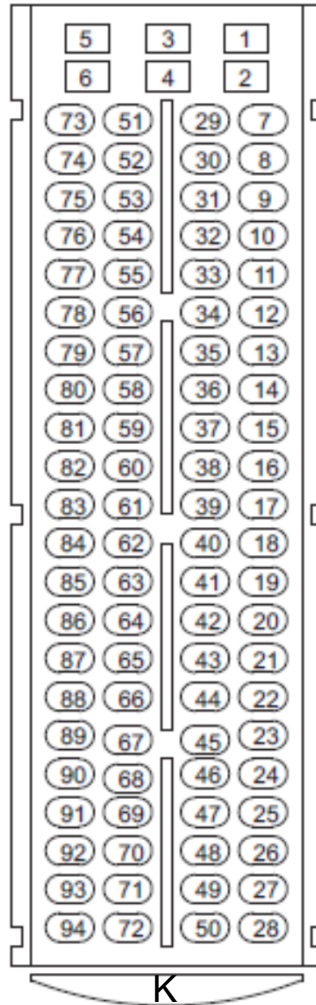
Hinterwagen
rear vehicle



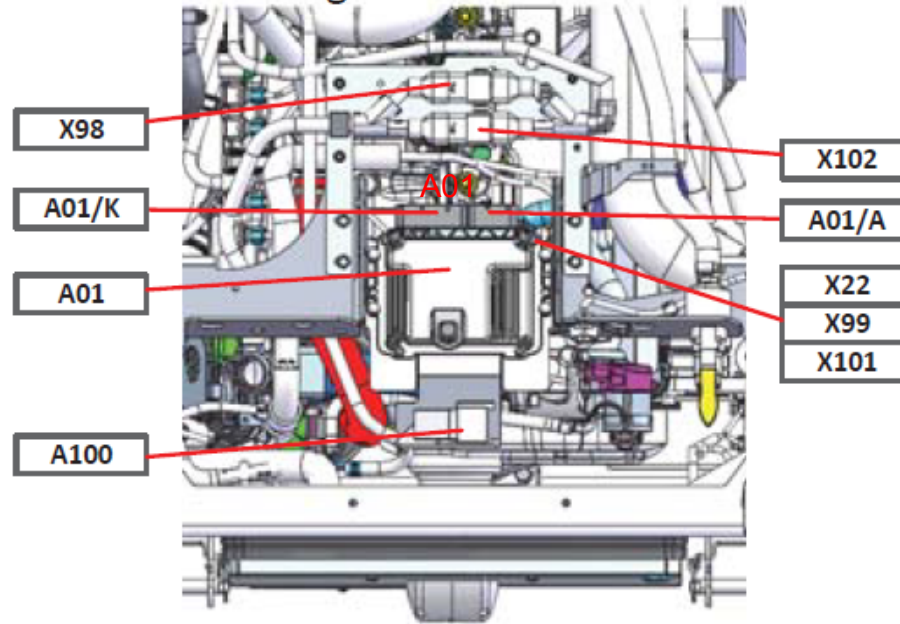


Motorsteuergerät
 engine control unit

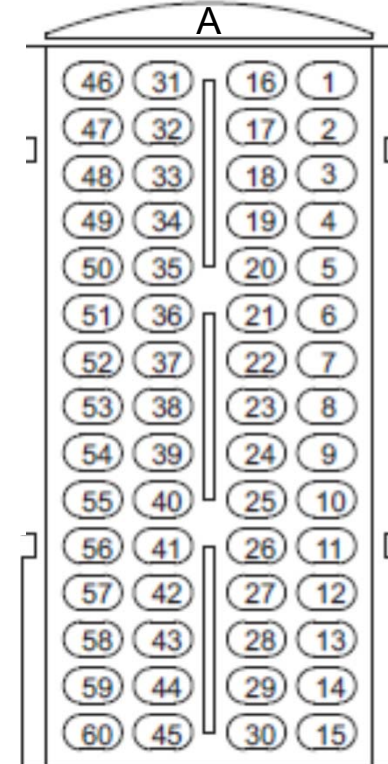
A01- K
 Stecker K- Plug K,
 94-polig- 94 pole (pins)



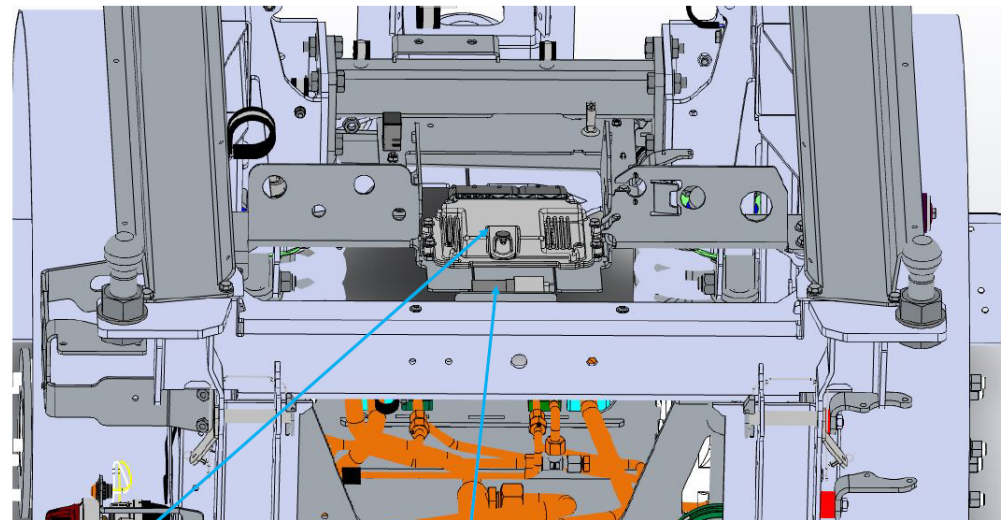
94 poliger Stecker
 Motorsteuergerät



A01-A
 Stecker A- Plug A ,
 60- polig- 60 pole (pins)

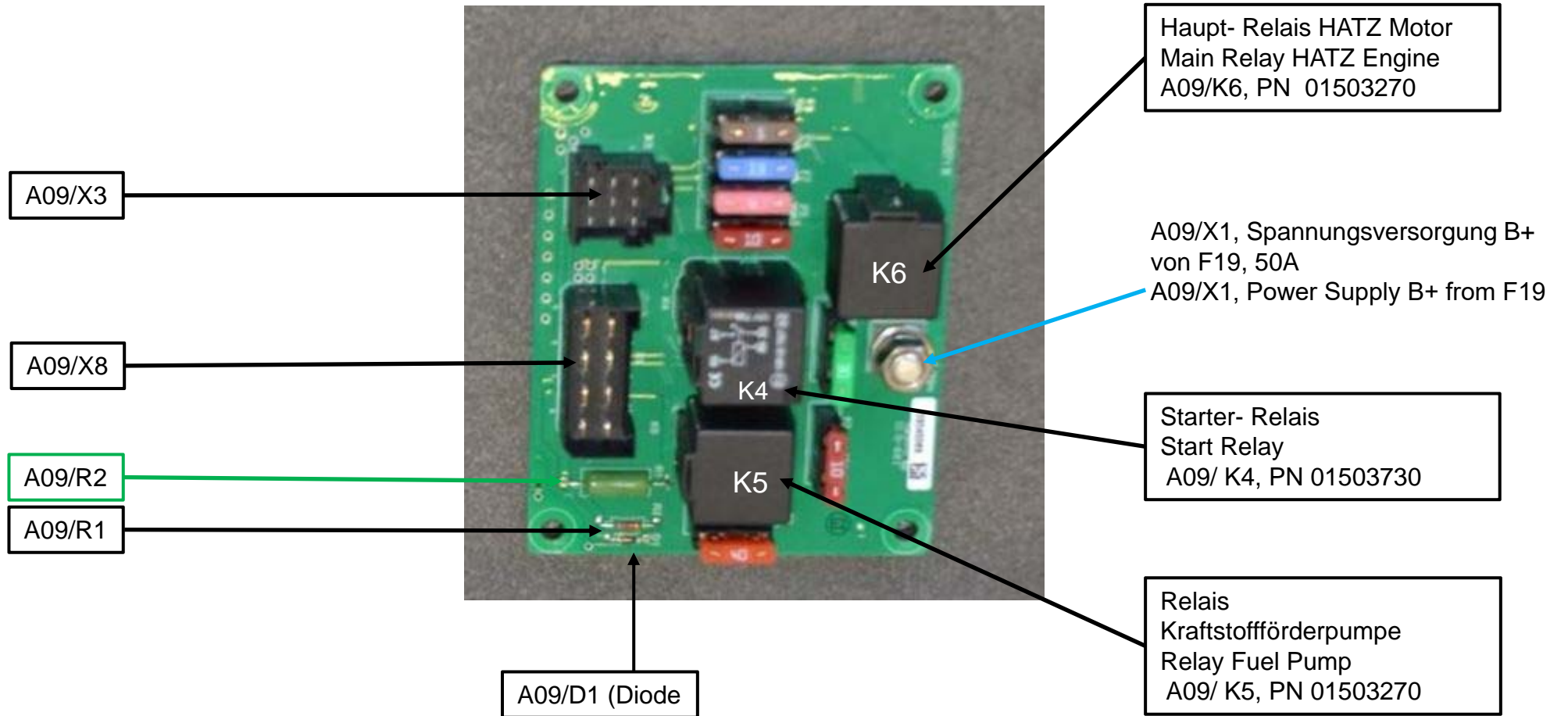


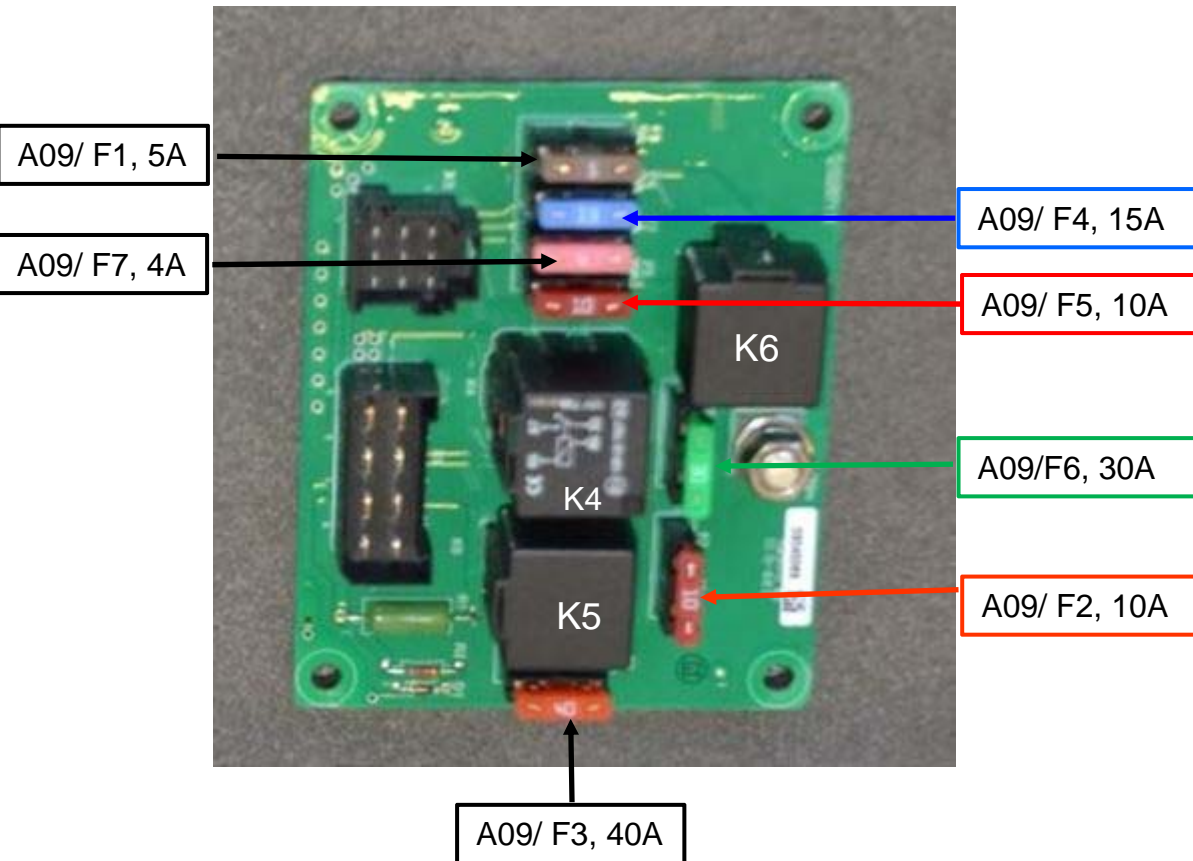
60 poliger Stecker
 Motorsteuergerät



A01, Motorsteuergerät

A100, Glühzeitsteuergerät



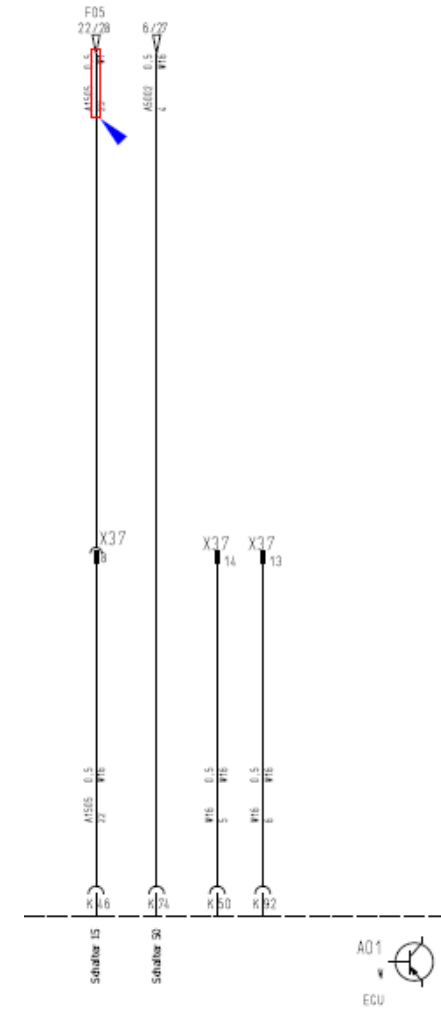
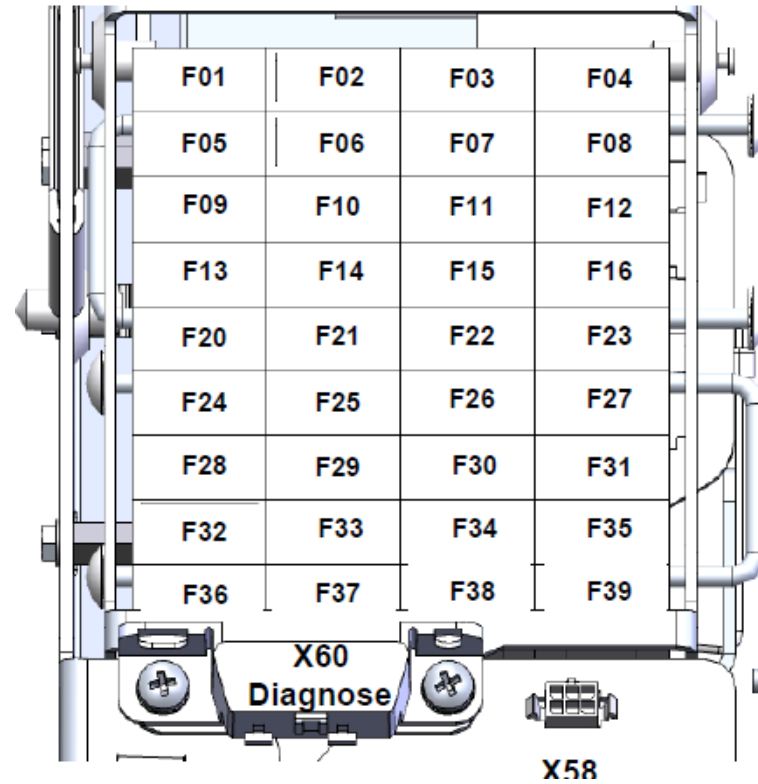


Sicherungen auf der HATZ- Steuereinheit A09

- F1** = Spannungsversorgung Hatz Diagnosestecker X59, **5A**
- F2** = Spannungsversorgung Kraftstoffpumpe M10, **10A**
- F3** = Hauptsicherung Glühzeitsteuergerät A100, **40A**
- F4** = Spannungsversorgung Motorsteuergerät A01, **15A**
- F5** = Spannungsversorgung Wasser im Kraftstoffsensord B33, **10A**
- F6** = Sicherung Magnetschalter Anlasser M01, **30A**
- F7** = Freigabe Glühzeitsteuergerät A100, **4A**

Fuses HATZ- Control -Module A09

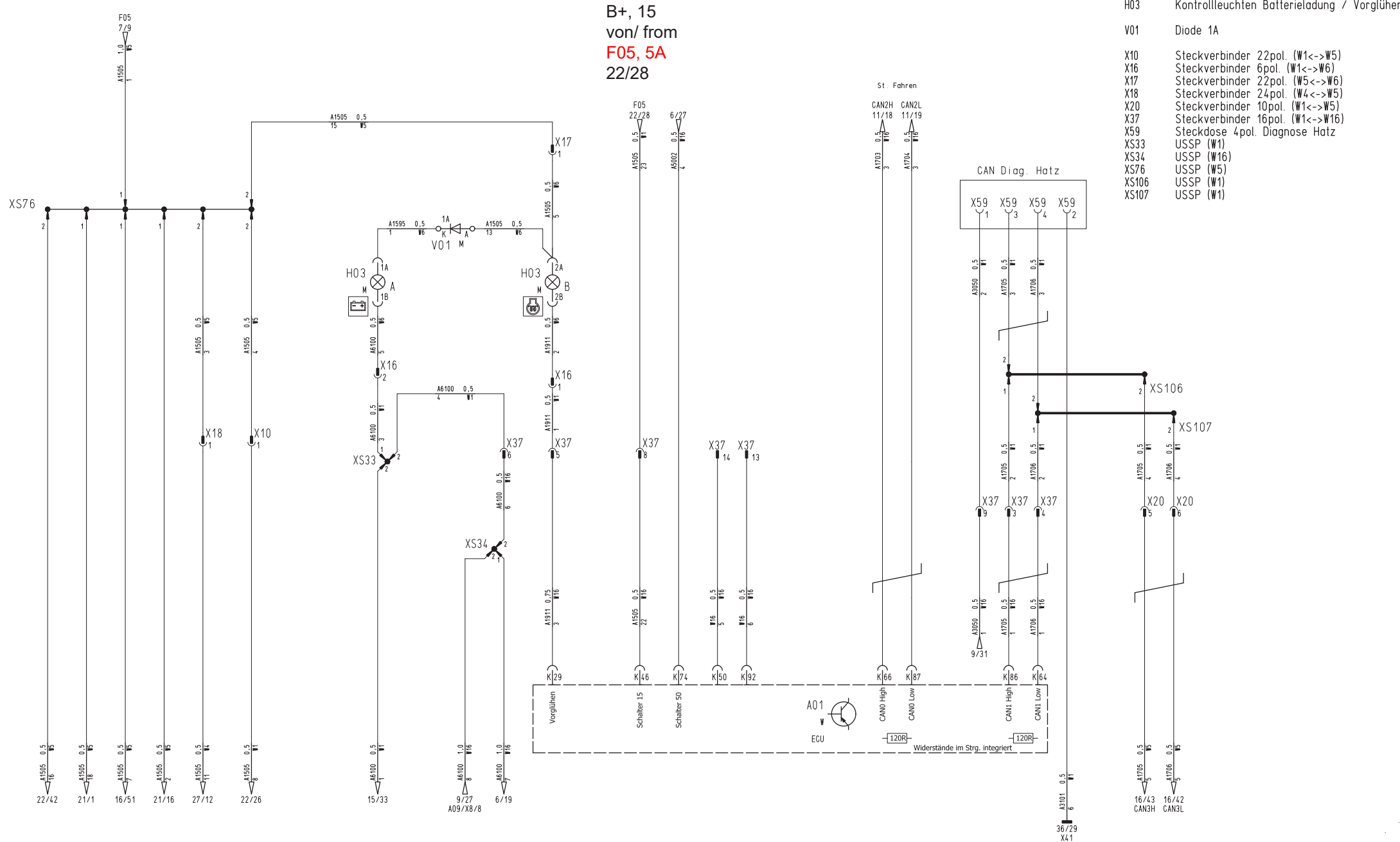
- F1** = Power supply Hatz Diagnosis Plug (connector) X59, **5A**
- F2** = Power supply fuel pump M10, **10A**
- F3** = Main fuse glow time control unit A100, **40A**
- F4** = Power supply engine control unit A01, **15A**
- F5** = Power supply water in fuel sensor B33, **10A**
- F6** = Fuse magnetic switch starter M01, **30A**
- F7** = Release glow time control unit A100, **4A**



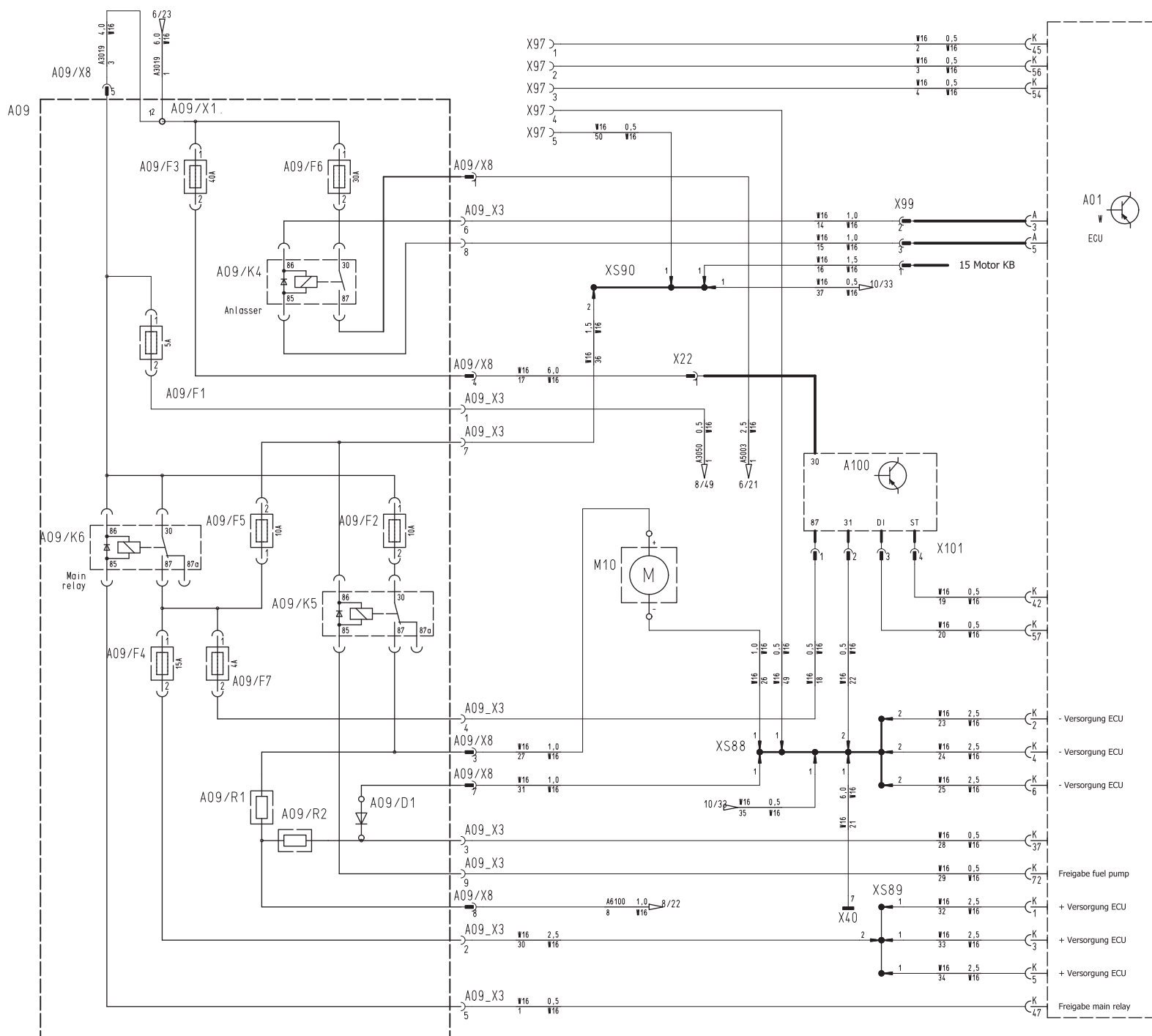
B+, 15
von/ from
F05, 5A
22/28

Legende

- A01 Motorsteuergerät Hatz
- H03 Kontrollleuchten Batterieladung / Vorglühen
- V01 Diode 1A
- X10 Steckverbinder 22pol. (W1<->W5)
- X16 Steckverbinder 6pol. (W1<->W6)
- X17 Steckverbinder 22pol. (W5<->W6)
- X18 Steckverbinder 24pol. (W4<->W5)
- X20 Steckverbinder 10pol. (W1<->W5)
- X37 Steckverbinder 16pol. (W1<->W16)
- X59 Steckdose 4pol. Diagnose Hatz
- XS33 USSP (W1)
- XS34 USSP (W16)
- XS76 USSP (W5)
- XS106 USSP (W1)
- XS107 USSP (W1)



1	/	4105-30	16.12.19	DK	2018	Date	Name	CM1650	Name	Schaltplan / circuit diagram	KABO Hako GmbH D-23848 Bad Oldesloe	Drawing Number 91039958			
					Drawn by	24.04	DK						Replacem. for same no.	For this drawing we reserve all rights (acc. DIN ISO 16016)	KABI 472
A2	No.	Number	appears	Change No.	Date	Name	Standard	Change No.	4105-11	For this drawing we reserve all rights (acc. DIN ISO 16016)	KABI 472	Type 1491	Dep. DS	No. of Sh. 46	Sheet 8



- ### Legende
- A01 Motorsteuergerät Hatz
 - A09/D1 Hatz Steuereinheit / Diode
 - A09/F1 Hatz Steuereinheit / Sicherung 5A
 - A09/F2 Hatz Steuereinheit / Sicherung 10A
 - A09/F3 Hatz Steuereinheit / Sicherung 40A
 - A09/F4 Hatz Steuereinheit / Sicherung 15A
 - A09/F5 Hatz Steuereinheit / Sicherung 10A
 - A09/F6 Hatz Steuereinheit / Sicherung 30A
 - A09/F7 Hatz Steuereinheit / Sicherung 4A
 - A09/K4 Hatz Steuereinheit / Relais Anlasser
 - A09/K5 Hatz Steuereinheit / Relais Kraftstoffpumpe
 - A09/K6 Hatz Steuereinheit / Hauptrelais
 - A09/R1 Hatz Steuereinheit / Widerstand
 - A09/R2 Hatz Steuereinheit / Widerstand
 - A09/X1 Hatz Steuereinheit / Anschlussbolzen UBatt
 - A09/X8 Hatz Steuereinheit / Steckverbinder 8pol.
 - A09_X3 Hatz Steuereinheit / Steckverbinder 9pol.
 - A100 Glühstartsteuergerät GCU

 - M10 Kraftstoffpumpe

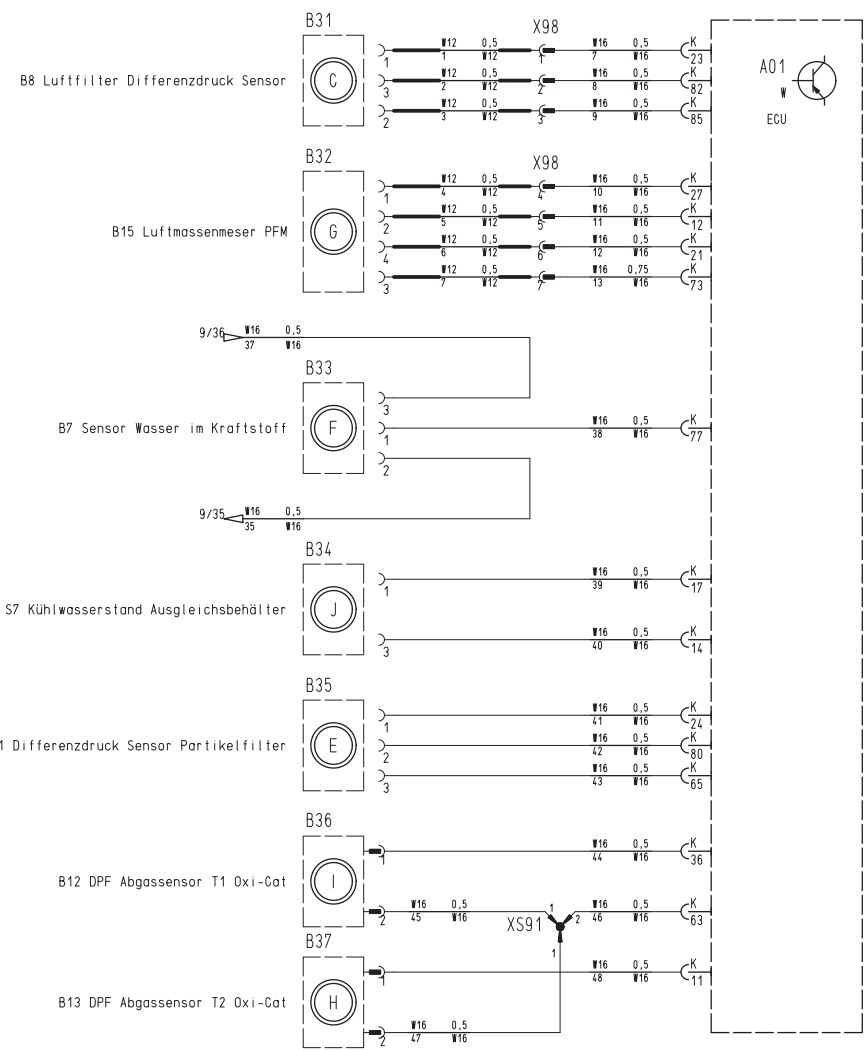
 - X22 Steckverbinder 3pol. (W16<->Motor)
 - X40 Massebolzen M10 Fahrgestell Heck
 - X97 Steckverbinder 6pol. (W16<->DPF Heizung)
 - X99 Steckverbinder 3pol. (W16<->Motorkabelbaum)
 - X101 Steckverbinder 4pol. (W16<->GCU)
 - XS88 USSP (W16)
 - XS89 USSP (W16)
 - XS90 USSP (W16)

A01- Spannungsversorgung B-, GND, 31 am Stecker K, Pin 2,4,6
 A01- Power Supply B-, GND, Terminal 31, plug (connector) K, Pin 2,4,6

A01- Spannungsversorgung B+ Klemme 30 am Stecker K, Pin 1,3,5 von Sicherung F19
 A01-Power Supply B+, Terminal 30, plug (connector) K, Pin 1,3,5 from fuse F19

1	.	4105-30	16.12.19	DK	2018	Date	Name	CM1650	Name	 Hako GmbH D-23849 Bad Oldesloe	Drawing Number			
					Drawn by	24.04	DK					Replacem. for same no.	Schaltplan / circuit diagram	91039958
A2 No. Number appears Change No. Date Name Standard					Change No.	4105-11	For this drawing we reserve all rights (acc. DIN ISO 16016)			KABI 472	Type 1491	Dep. DS	No. of Sh. 46	Sheet 9





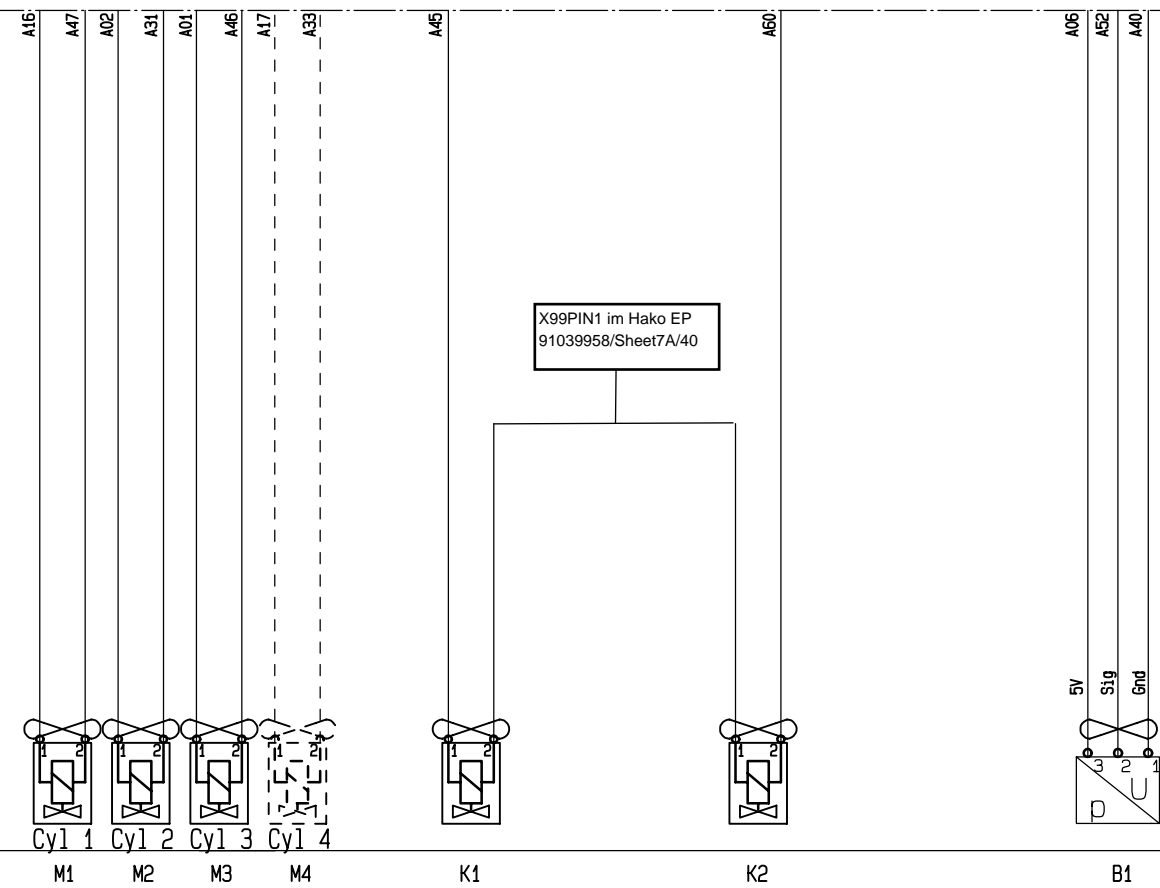
Legende

- A01 Motorsteuergerät Hatz
- B31 Sensor Differenzdruck Luftfilter
- B32 Luftmassenmeser
- B33 Sensor Wasser im Kraftstoff
- B34 Kühlwasserstand Ausgleichsbehälter
- B35 Sensor Differenzdruck Partikelfilter
- B36 Sensor DPF Abgastemperatur 1 T1 (oben)
- B37 Sensor DPF Abgastemperatur 2 T2 (unten)
- X98 Steckverbinder 8pol.(W12<->W16)
- XS91 USSP (W16)



A2	1	No	Number appears	4105-30	16.12.19	DK	2018	Date	Name	CM1650	Name	Schaltplan / circuit diagram	KABO	Hako GmbH D-23349 Bad Oldesloe	Drawing Number 91039958				
							Drawn by	24.04	DK							Replacem for same no.			
							Standard			Change No	4105-11	For this drawing we reserve all rights (acc. DIN ISO 16016)			KABI 472	Type 1491	Dep. DS	No. of Sh. 46	Sheet 10

Steuengerät
Control unit
l'unité de commande
EDC C81

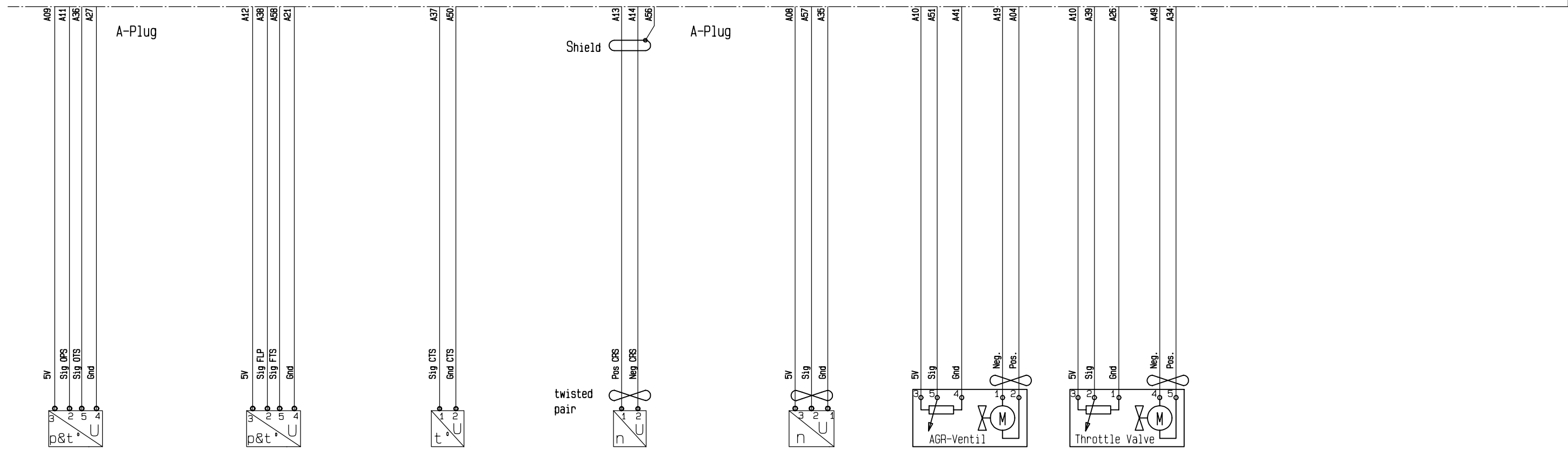


M1 M2 M3 M4 K1 K2 B1

Injektoren Injectors Injecteurs	Druckregelventil Rail pressure control valve clapet de surpression de rampe d'injection	Hochdruckpumpe mit Zumesseinheit High pressure pump & metering unit Pompe à haute pression avec l'unité de dosage	Raildrucksensor Rail pressure sensor capteur de pression de rampe d'injection
---------------------------------------	--	--	--

Steuergerät
Control unit
l'unité de commande

EDC C81



B9	B3	B4	B5	B6	M8	M9
Öldruck-und Temp. Sensor Oil pressure & temp. sensor Pression d'huile et le capteur de température	Kraftstoff Niederdruck & Temp. Sensor Fuel low pressure & temp. sensor Capteur et la température de combustible à basse pression	Kühlmitteltemp. Sensor Coolant temp. sensor Capteur de température de liquide de refroidissement	Kurbelwellen-Drehzahlsensor Crankshaft speed sensor Capteur de vitesse de vilebrequin	Nockenwellen-Drehzahlsensor Camshaft speed sensor Capteur de vitesse de l'arbre à cames	AGR Ventil EGR valve Soupape de recirculation des gaz d'échappement	Drosselklappe Throttle Valve Vanne d'étranglement

SYMBOLS FOR SURFACE ROUGHNESS ACC. TO DIN EN ISO 1302
EDGES OF WORKING PARTS ACC. TO DIN ISO 13715
GENERAL TOLERANCES ACC. TO
GEOMETRICAL TOLERANCING ACC. TO DIN/ISO 1101
PROTECTION MARK ACC. TO DIN ISO 16016

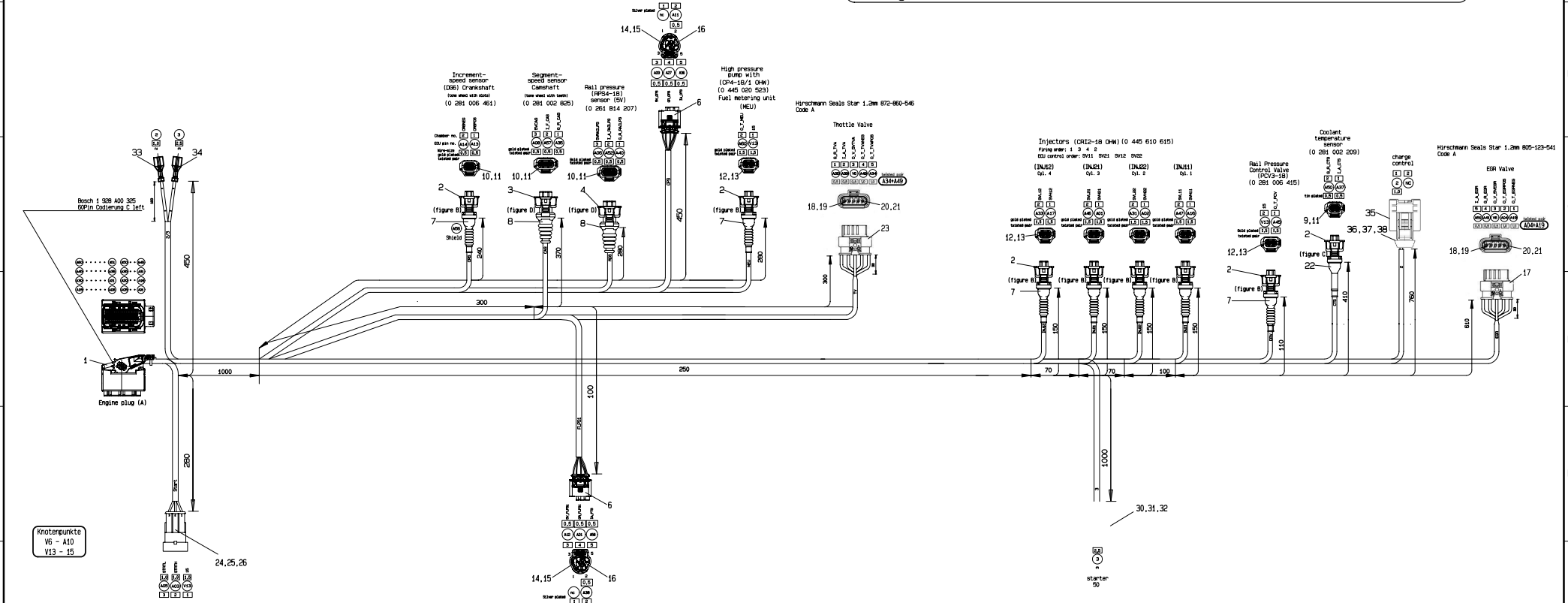
HATZ Werknom (Bauteilnummer) (Nicht belegte Kontakte in den Steckern müssen mit Blindstopfen verschlossen werden)

Nicht belegte Enden müssen kurzschlussfest Isoliert werden

Die benannten Einzelteile können auch nach Rücksprache mit dem Werk gegen compatible Kontakte mit gleicher Funktion und Eigenschaft ersetzt werden.

Der Leitungsschutz muss auf der ganzen Länge schnittfest, -temperatur(-40°C bis +120°C), -Diesel-, -öl(Motor- und Hydrauliköl), - und UV beständig sein.

Die Leitungen müssen im Abstand von 50mm mit der Belegung (z.B. K09) durchgehend beschriftet sein.



Knoterpunkte
V6 - A10
V13 - 15

Steckertyp und Art der Pins siehe Blatt 2 Tabelle B
Steckerbelegungen Kabelfarben, -Querschnitte und Pinbelegungen siehe Blatt 2 Tabelle A
⊗ Werte im Kreis ist als Kabelezeichnung zu verwenden.

ECU-Terminal diagram: siehe Blatt 3

Remarks:
Wiring Harness guidelines:

⊗ corresponds to junction or line - either contact in control unit plug or connector

Cable cross sections:
All signal lines □ / 0,5 mm²
All actuator lines □ / 0,75 or 1,5 mm²
Power supply lines □ / 2,5 mm²
CR-injector lines □ / 1,5 mm²

Cable specification:
FLR33X-B (Betax) or
FLR91X-B

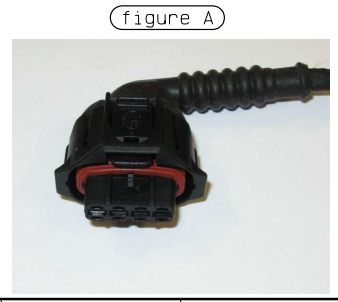


figure B



figure C



figure D



				Überflächenschleifentoleranz DIN EN ISO 1302 Reihe 2				Motorerkabelstrang 4H50		Werkstoff/ MATERIAL Gewicht (kg): 1,00	
				Allgemeintoleranzen				C81		4H50TICD	
				Form- u. Lagertoleranz DIN ISO 1101		MOTORENFABRIK HATZ RUHSTORF-ROTT		Maßstab/SCALE 1:1 (:)		Datum Name	
				Schutzvermerk nach DIN ISO 16016 beachten		ISO E		Gez. 13.09.18 CR		Fertigteil-Nr.: / FINISH-PART No. Typ	
				NICHT MANUELL ÄNDERN				Gepr. 13.09.18 MO		012517610102.116512	

SYMBOLS FOR SURFACE ROUGHNESS ACC. TO DIN EN ISO 1302
EDGES OF WORKING PARTS ACC. TO DIN ISO 13715
GENERAL TOLERANCES ACC. TO
GEOMETRICAL TOLERANCING ACC. TO DIN/ISO 1101
PROTECTION MARK ACC. TO DIN ISO 16016

HATZ Werkform
Bozteileisuberkheit

© Alle Rechte an Robert Bosch GmbH, auch für den Fall von Schutzrechtsverletzungen, vorbehalten.
 All rights reserved by Robert Bosch GmbH.

This drawing is the exclusive property of Robert Bosch GmbH. All rights reserved.

Further foreign lang. drawings: K1000, K1004, K1008, K1012, K1016, K1020, K1024, K1028, K1032, K1036, K1040, K1044, K1048, K1052, K1056, K1060, K1064, K1068, K1072, K1076, K1080, K1084, K1088, K1092, K1096, K1100, K1104, K1108, K1112, K1116, K1120, K1124, K1128, K1132, K1136, K1140, K1144, K1148, K1152, K1156, K1160, K1164, K1168, K1172, K1176, K1180, K1184, K1188, K1192, K1196, K1200, K1204, K1208, K1212, K1216, K1220, K1224, K1228, K1232, K1236, K1240, K1244, K1248, K1252, K1256, K1260, K1264, K1268, K1272, K1276, K1280, K1284, K1288, K1292, K1296, K1300, K1304, K1308, K1312, K1316, K1320, K1324, K1328, K1332, K1336, K1340, K1344, K1348, K1352, K1356, K1360, K1364, K1368, K1372, K1376, K1380, K1384, K1388, K1392, K1396, K1400, K1404, K1408, K1412, K1416, K1420, K1424, K1428, K1432, K1436, K1440, K1444, K1448, K1452, K1456, K1460, K1464, K1468, K1472, K1476, K1480, K1484, K1488, K1492, K1496, K1500, K1504, K1508, K1512, K1516, K1520, K1524, K1528, K1532, K1536, K1540, K1544, K1548, K1552, K1556, K1560, K1564, K1568, K1572, K1576, K1580, K1584, K1588, K1592, K1596, K1600, K1604, K1608, K1612, K1616, K1620, K1624, K1628, K1632, K1636, K1640, K1644, K1648, K1652, K1656, K1660, K1664, K1668, K1672, K1676, K1680, K1684, K1688, K1692, K1696, K1700, K1704, K1708, K1712, K1716, K1720, K1724, K1728, K1732, K1736, K1740, K1744, K1748, K1752, K1756, K1760, K1764, K1768, K1772, K1776, K1780, K1784, K1788, K1792, K1796, K1800, K1804, K1808, K1812, K1816, K1820, K1824, K1828, K1832, K1836, K1840, K1844, K1848, K1852, K1856, K1860, K1864, K1868, K1872, K1876, K1880, K1884, K1888, K1892, K1896, K1900, K1904, K1908, K1912, K1916, K1920, K1924, K1928, K1932, K1936, K1940, K1944, K1948, K1952, K1956, K1960, K1964, K1968, K1972, K1976, K1980, K1984, K1988, K1992, K1996, K2000, K2004, K2008, K2012, K2016, K2020, K2024, K2028, K2032, K2036, K2040, K2044, K2048, K2052, K2056, K2060, K2064, K2068, K2072, K2076, K2080, K2084, K2088, K2092, K2096, K2100, K2104, K2108, K2112, K2116, K2120, K2124, K2128, K2132, K2136, K2140, K2144, K2148, K2152, K2156, K2160, K2164, K2168, K2172, K2176, K2180, K2184, K2188, K2192, K2196, K2200, K2204, K2208, K2212, K2216, K2220, K2224, K2228, K2232, K2236, K2240, K2244, K2248, K2252, K2256, K2260, K2264, K2268, K2272, K2276, K2280, K2284, K2288, K2292, K2296, K2300, K2304, K2308, K2312, K2316, K2320, K2324, K2328, K2332, K2336, K2340, K2344, K2348, K2352, K2356, K2360, K2364, K2368, K2372, K2376, K2380, K2384, K2388, K2392, K2396, K2400, K2404, K2408, K2412, K2416, K2420, K2424, K2428, K2432, K2436, K2440, K2444, K2448, K2452, K2456, K2460, K2464, K2468, K2472, K2476, K2480, K2484, K2488, K2492, K2496, K2500, K2504, K2508, K2512, K2516, K2520, K2524, K2528, K2532, K2536, K2540, K2544, K2548, K2552, K2556, K2560, K2564, K2568, K2572, K2576, K2580, K2584, K2588, K2592, K2596, K2600, K2604, K2608, K2612, K2616, K2620, K2624, K2628, K2632, K2636, K2640, K2644, K2648, K2652, K2656, K2660, K2664, K2668, K2672, K2676, K2680, K2684, K2688, K2692, K2696, K2700, K2704, K2708, K2712, K2716, K2720, K2724, K2728, K2732, K2736, K2740, K2744, K2748, K2752, K2756, K2760, K2764, K2768, K2772, K2776, K2780, K2784, K2788, K2792, K2796, K2800, K2804, K2808, K2812, K2816, K2820, K2824, K2828, K2832, K2836, K2840, K2844, K2848, K2852, K2856, K2860, K2864, K2868, K2872, K2876, K2880, K2884, K2888, K2892, K2896, K2900, K2904, K2908, K2912, K2916, K2920, K2924, K2928, K2932, K2936, K2940, K2944, K2948, K2952, K2956, K2960, K2964, K2968, K2972, K2976, K2980, K2984, K2988, K2992, K2996, K3000, K3004, K3008, K3012, K3016, K3020, K3024, K3028, K3032, K3036, K3040, K3044, K3048, K3052, K3056, K3060, K3064, K3068, K3072, K3076, K3080, K3084, K3088, K3092, K3096, K3100, K3104, K3108, K3112, K3116, K3120, K3124, K3128, K3132, K3136, K3140, K3144, K3148, K3152, K3156, K3160, K3164, K3168, K3172, K3176, K3180, K3184, K3188, K3192, K3196, K3200, K3204, K3208, K3212, K3216, K3220, K3224, K3228, K3232, K3236, K3240, K3244, K3248, K3252, K3256, K3260, K3264, K3268, K3272, K3276, K3280, K3284, K3288, K3292, K3296, K3300, K3304, K3308, K3312, K3316, K3320, K3324, K3328, K3332, K3336, K3340, K3344, K3348, K3352, K3356, K3360, K3364, K3368, K3372, K3376, K3380, K3384, K3388, K3392, K3396, K3400, K3404, K3408, K3412, K3416, K3420, K3424, K3428, K3432, K3436, K3440, K3444, K3448, K3452, K3456, K3460, K3464, K3468, K3472, K3476, K3480, K3484, K3488, K3492, K3496, K3500, K3504, K3508, K3512, K3516, K3520, K3524, K3528, K3532, K3536, K3540, K3544, K3548, K3552, K3556, K3560, K3564, K3568, K3572, K3576, K3580, K3584, K3588, K3592, K3596, K3600, K3604, K3608, K3612, K3616, K3620, K3624, K3628, K3632, K3636, K3640, K3644, K3648, K3652, K3656, K3660, K3664, K3668, K3672, K3676, K3680, K3684, K3688, K3692, K3696, K3700, K3704, K3708, K3712, K3716, K3720, K3724, K3728, K3732, K3736, K3740, K3744, K3748, K3752, K3756, K3760, K3764, K3768, K3772, K3776, K3780, K3784, K3788, K3792, K3796, K3800, K3804, K3808, K3812, K3816, K3820, K3824, K3828, K3832, K3836, K3840, K3844, K3848, K3852, K3856, K3860, K3864, K3868, K3872, K3876, K3880, K3884, K3888, K3892, K3896, K3900, K3904, K3908, K3912, K3916, K3920, K3924, K3928, K3932, K3936, K3940, K3944, K3948, K3952, K3956, K3960, K3964, K3968, K3972, K3976, K3980, K3984, K3988, K3992, K3996, K4000, K4004, K4008, K4012, K4016, K4020, K4024, K4028, K4032, K4036, K4040, K4044, K4048, K4052, K4056, K4060, K4064, K4068, K4072, K4076, K4080, K4084, K4088, K4092, K4096, K4100, K4104, K4108, K4112, K4116, K4120, K4124, K4128, K4132, K4136, K4140, K4144, K4148, K4152, K4156, K4160, K4164, K4168, K4172, K4176, K4180, K4184, K4188, K4192, K4196, K4200, K4204, K4208, K4212, K4216, K4220, K4224, K4228, K4232, K4236, K4240, K4244, K4248, K4252, K4256, K4260, K4264, K4268, K4272, K4276, K4280, K4284, K4288, K4292, K4296, K4300, K4304, K4308, K4312, K4316, K4320, K4324, K4328, K4332, K4336, K4340, K4344, K4348, K4352, K4356, K4360, K4364, K4368, K4372, K4376, K4380, K4384, K4388, K4392, K4396, K4400, K4404, K4408, K4412, K4416, K4420, K4424, K4428, K4432, K4436, K4440, K4444, K4448, K4452, K4456, K4460, K4464, K4468, K4472, K4476, K4480, K4484, K4488, K4492, K4496, K4500, K4504, K4508, K4512, K4516, K4520, K4524, K4528, K4532, K4536, K4540, K4544, K4548, K4552, K4556, K4560, K4564, K4568, K4572, K4576, K4580, K4584, K4588, K4592, K4596, K4600, K4604, K4608, K4612, K4616, K4620, K4624, K4628, K4632, K4636, K4640, K4644, K4648, K4652, K4656, K4660, K4664, K4668, K4672, K4676, K4680, K4684, K4688, K4692, K4696, K4700, K4704, K4708, K4712, K4716, K4720, K4724, K4728, K4732, K4736, K4740, K4744, K4748, K4752, K4756, K4760, K4764, K4768, K4772, K4776, K4780, K4784, K4788, K4792, K4796, K4800, K4804, K4808, K4812, K4816, K4820, K4824, K4828, K4832, K4836, K4840, K4844, K4848, K4852, K4856, K4860, K4864, K4868, K4872, K4876, K4880, K4884, K4888, K4892, K4896, K4900, K4904, K4908, K4912, K4916, K4920, K4924, K4928, K4932, K4936, K4940, K4944, K4948, K4952, K4956, K4960, K4964, K4968, K4972, K4976, K4980, K4984, K4988, K4992, K4996, K5000, K5004, K5008, K5012, K5016, K5020, K5024, K5028, K5032, K5036, K5040, K5044, K5048, K5052, K5056, K5060, K5064, K5068, K5072, K5076, K5080, K5084, K5088, K5092, K5096, K5100, K5104, K5108, K5112, K5116, K5120, K5124, K5128, K5132, K5136, K5140, K5144, K5148, K5152, K5156, K5160, K5164, K5168, K5172, K5176, K5180, K5184, K5188, K5192, K5196, K5200, K5204, K5208, K5212, K5216, K5220, K5224, K5228, K5232, K5236, K5240, K5244, K5248, K5252, K5256, K5260, K5264, K5268, K5272, K5276, K5280, K5284, K5288, K5292, K5296, K5300, K5304, K5308, K5312, K5316, K5320, K5324, K5328, K5332, K5336, K5340, K5344, K5348, K5352, K5356, K5360, K5364, K5368, K5372, K5376, K5380, K5384, K5388, K5392, K5396, K5400, K5404, K5408, K5412, K5416, K5420, K5424, K5428, K5432, K5436, K5440, K5444, K5448, K5452, K5456, K5460, K5464, K5468, K5472, K5476, K5480, K5484, K5488, K5492, K5496, K5500, K5504, K5508, K5512, K5516, K5520, K5524, K5528, K5532, K5536, K5540, K5544, K5548, K5552, K5556, K5560, K5564, K5568, K5572, K5576, K5580, K5584, K5588, K5592, K5596, K5600, K5604, K5608, K5612, K5616, K5620, K5624, K5628, K5632, K5636, K5640, K5644, K5648, K5652, K5656, K5660, K5664, K5668, K5672, K5676, K5680, K5684, K5688, K5692, K5696, K5700, K5704, K5708, K5712, K5716, K5720, K5724, K5728, K5732, K5736, K5740, K5744, K5748, K5752, K5756, K5760, K5764, K5768, K5772, K5776, K5780, K5784, K5788, K5792, K5796, K5800, K5804, K5808, K5812, K5816, K5820, K5824, K5828, K5832, K5836, K5840, K5844, K5848, K5852, K5856, K5860, K5864, K5868, K5872, K5876, K5880, K5884, K5888, K5892, K5896, K5900, K5904, K5908, K5912, K5916, K5920, K5924, K5928, K5932, K5936, K5940, K5944, K5948, K5952, K5956, K5960, K5964, K5968, K5972, K5976, K5980, K5984, K5988, K5992, K5996, K6000, K6004, K6008, K6012, K6016, K6020, K6024, K6028, K6032, K6036, K6040, K6044, K6048, K6052, K6056, K6060, K6064, K6068, K6072, K6076, K6080, K6084, K6088, K6092, K6096, K6100, K6104, K6108, K6112, K6116, K6120, K6124, K6128, K6132, K6136, K6140, K6144, K6148, K6152, K6156, K6160, K6164, K6168, K6172, K6176, K6180, K6184, K6188, K6192, K6196, K6200, K6204, K6208, K6212, K6216, K6220, K6224, K6228, K6232, K6236, K6240, K6244, K6248, K6252, K6256, K6260, K6264, K6268, K6272, K6276, K6280, K6284, K6288, K6292, K6296, K6300, K6304, K6308, K6312, K6316, K6320, K6324, K6328, K6332, K6336, K6340, K6344, K6348, K6352, K6356, K6360, K6364, K6368, K6372, K6376, K6380, K6384, K6388, K6392, K6396, K6400, K6404, K6408, K6412, K6416, K6420, K6424, K6428, K6432, K6436, K6440, K6444, K6448, K6452, K6456, K6460, K6464, K6468, K6472, K6476, K6480, K6484, K6488, K6492, K6496, K6500, K6504, K6508, K6512, K6516, K6520, K6524, K6528, K6532, K6536, K6540, K6544, K6548, K6552, K6556, K6560, K6564, K6568, K6572, K6576, K6580, K6584, K6588, K6592, K6596, K6600, K6604, K6608, K6612, K6616, K6620, K6624, K6628, K6632, K6636, K6640, K6644, K6648, K6652, K6656, K6660, K6664, K6668, K6672, K6676, K6680, K6684, K6688, K6692, K6696, K6700, K6704, K6708, K6712, K6716, K6720, K6724, K6728, K6732, K6736, K6740, K6744, K6748, K6752, K6756, K6760, K6764, K6768, K6772, K6776, K6780, K6784, K6788, K6792, K6796, K6800, K6804, K6808, K6812, K6816, K6820, K6824, K6828, K6832, K6836, K6840, K6844, K6848, K6852, K6856, K6860, K6864, K6868, K6872, K6876, K6880, K6884, K6888, K6892, K6896, K6900, K6904, K6908, K6912, K6916, K6920, K6924, K6928, K6932, K6936, K6940, K6944, K6948, K6952, K6956, K6960, K6964, K6968, K6972, K6976, K6980, K6984, K6988, K6992, K6996, K7000, K7004, K7008, K7012, K7016, K7020, K7024, K7028, K7032, K7036, K7040, K7044, K7048, K7052, K7056, K7060, K7064, K7068, K7072, K7076, K7080, K7084, K7088, K7092, K7096, K7100, K7104, K7108, K7112, K7116, K7120, K7124, K7128, K7132, K7136, K7140, K7144, K7148, K7152, K7156, K7160, K7164, K7168, K7172, K7176, K7180, K7184, K7188, K7192, K7196, K7200, K7204, K7208, K7212, K7216, K7220, K7224, K7228, K7232, K7236, K7240, K7244, K7248, K7252, K7256, K7260, K7264, K7268, K7272, K7276, K7280, K7284, K7288, K7292, K7296, K7300, K7304, K7308, K7312, K7316, K7320, K7324, K7328, K7332, K7336, K7340, K7344, K7348, K7352, K7356, K7360, K7364, K7368, K7372, K7376, K7380, K7384, K7388, K7392, K7396, K7400, K7404, K7408, K7412, K7416, K7420, K7424, K7428, K7432, K7436, K7440, K7444, K7448, K7452, K7456, K7460, K7464, K7468, K7472, K7476, K7480, K7484, K7488, K7492, K7496, K7500, K7504, K7508, K7512, K7516, K7520, K7524, K7528, K7532, K7536, K7540, K7544, K7548, K7552, K7556, K7560, K7564, K7568, K7572, K7576, K7580, K7584, K7588, K7592, K7596, K7600, K7604, K7608, K7612, K7616, K7620, K7624, K7628, K7632, K7636, K7640, K7644, K7648, K7652, K7656, K7660, K7664, K7668, K7672, K7676, K7680, K7684, K7688, K7692, K7696, K7700, K7704, K7708, K7712, K7716, K7720, K7724, K7728, K7732, K7736, K7740, K7744, K7748, K7752, K7756, K7760, K7764, K7768, K7772, K7776, K7780, K7784, K7788, K7792, K7796, K7800, K7804, K7808, K7812, K7816, K7820, K7824, K7828, K7832, K7836, K7840, K7844, K7848, K7852, K7856, K7860, K7864, K7868, K7872, K7876, K7880, K7884, K7888, K7892, K7896, K7900, K7904, K7908, K7912, K7916, K7920, K7924, K7928, K7932, K7936, K7940, K7944, K7948, K7952, K7956, K7960, K7964, K7968, K7972, K7976, K7980, K7984, K7988, K7992, K7996, K8000, K8004, K8008, K8012, K8016, K8020, K8024, K8028, K8032, K8036, K8040, K8044, K8048, K8052, K8056, K8060, K8064, K8068, K8072, K8076, K8080, K8084, K8088, K8092, K8096, K8100, K8104, K8108, K8112, K8116, K8120, K8124, K8128, K8132, K8136, K8140, K8144, K8148, K8152, K8156, K8160, K8164, K8168, K8172, K8176, K8180, K8184, K8188, K8192, K8196, K8200, K8204, K8208, K8212, K8216, K8220, K8224, K8228, K8232, K8236, K8240, K8244, K8248, K8252, K8256, K8260, K8264, K8268, K8272, K8276, K8280, K8284, K8288, K8292, K8296, K8300, K8304, K8308, K8312, K8316, K8320, K8324, K8328, K8332, K8336, K8340, K8344, K8348, K8352, K8356, K8360, K8364, K8368, K8372, K8376, K8380, K8384, K8388, K8392, K8396, K8400, K8404, K8408, K8412, K8416, K8420, K8424, K8428, K8432, K8436, K8440, K8444, K8448, K8452, K8456, K8460, K8464, K8468, K8472, K8476, K8480, K8484, K8488, K8492, K8496, K8500, K8504, K8508, K8512, K8516, K8520, K8524, K8528, K8532, K8536, K8540, K8544, K8548, K8552, K8556, K8560, K8564, K8568, K8572, K8576, K8580, K8584, K8588, K8592, K8596, K8600, K8604, K8608, K8612, K8616, K8620, K8624, K8628, K8632, K8636, K8640, K8644, K8648, K8652, K8656, K8660, K8664, K8668, K8672, K8676, K8680, K8684, K8688, K8692, K8696, K8700, K8704, K8708, K8712, K8716, K8720, K8724, K8728, K8732, K8736, K8740, K8744, K8748, K8752, K8756, K8760, K8764, K8768, K8772, K8776, K8780, K8784, K8788, K8792, K8796, K8800, K8804, K8808, K8812, K8816, K8820, K8824, K8828, K8832, K8836, K8840, K8844, K8848, K8852, K8856, K8860, K8864, K8868, K8872, K8876, K8880, K8884, K8888, K8892, K8896, K8900, K8904, K8908, K8912, K8916, K8920, K8924, K8928, K8932, K8936, K8940, K8944, K8948, K8952, K8956, K8960, K8964, K8968, K8972, K8976, K8980, K8984, K8988, K8992, K8996, K9000, K9004, K9008, K9012, K9016, K9020, K9024, K9028, K9032, K9036, K9040, K9044, K9048, K9052, K9056, K906